

- 1
- 2
- 3
- 4
- 5
- 6
- 7
- 8
- 9
- 10
- 11
- 12
- 13
- 14
- 15
- 16
- 17
- 18
- 19

VERSIONS

- Type **A**: with bores for countersunk screws
- Type **B**: with bores for countersunk screws and centering attachments

HINGE LEAFS

- AISI 316 stainless steel **A4**
- Matte shot-blasted finish **GS**

HINGE PIN

- Stainless steel AISI 318LN
- Nickel plated
- With special grease lubricated, FDA compliant, class H1

SHIM WASHERS

- AISI 316Ti stainless Steel
- With special grease lubricated, FDA compliant, class H1

INFORMATION

Horizontally elongated heavy duty hinges GN 237.3-L-A4 are designed for use under tough conditions. Attachment points with a wider spacing and more installation holes allow a more effective introduction of force into the mounting surface.

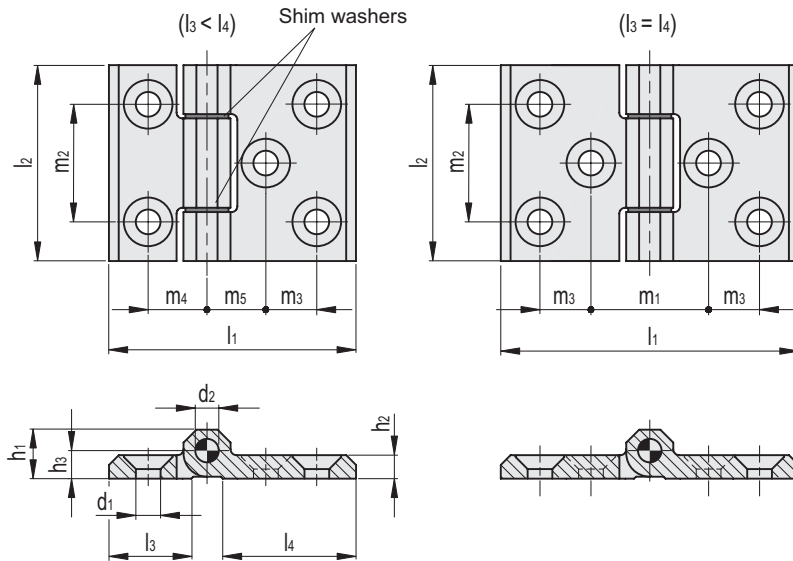
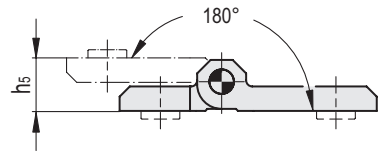
The hinge pins are integral and allow the hinges to be used in environments with strong vibrations and shocks.

The heavy-duty hinges (Version A4) can also be used in particularly aggressive environments thanks to the materials used. Wear is minimized by the effective friction pairing of the hinge components and lubrication.

The type B hinge has centering attachments that prevent lateral slippage under high loads and protect the mounting screws from impermissible transverse force.

ACCESSORIES

- PCM-SP: Spacer plates.
- PCM-TH: Plates.
- PCM-LS: Rubber Bumper Stops.

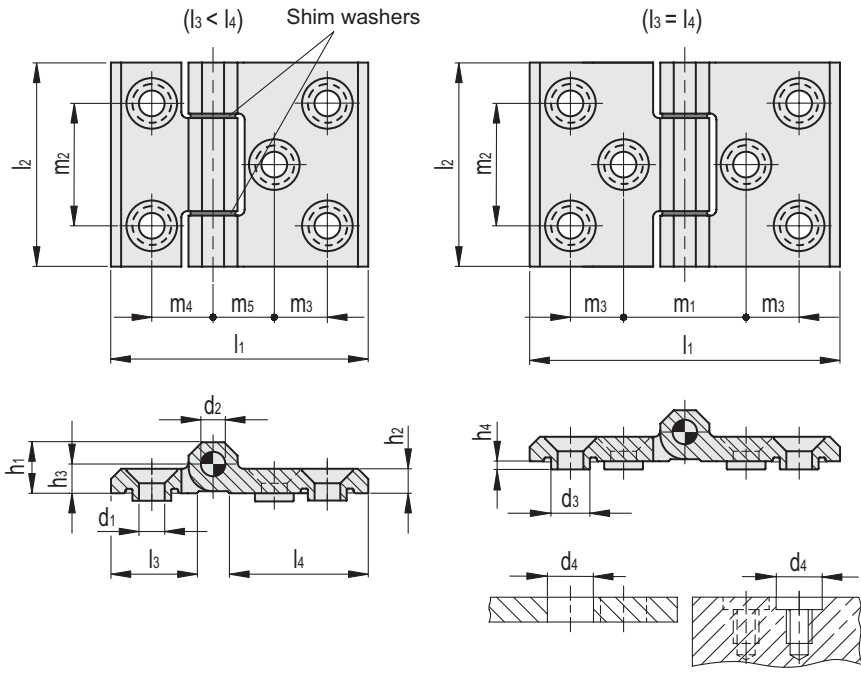


GN 237.3-L-A4-A

Code	Description	l1	l2	d1	d2	h1	h2	h3	h4	h5	l3	l4	m1	m2	m3	m4	m5	Δ
GN.74509	GN 237.3-A4-63-50-A-GS	63	50	6.3	6	12.5	6	6.5	2	13	21	34	-	30	13	15	15	140
GN.74513	GN 237.3-A4-76-50-A-GS	76	50	6.3	6	12.5	6	6.5	2	13	34	34	30	30	13	-	-	166
GN.74521	GN 237.3-A4-90-60-A-GS	90	60	8.3	8	16	8	8.5	3	17	25.5	56	-	36	22.5	18	22.5	316
GN.74525	GN 237.3-A4-120-60-A-GS	120	60	8.3	8	16	8	8.5	3	17	56	56	45	36	22.5	-	-	410
GN.74529	GN 237.3-A4-120-80-A-GS	120	80	10.3	10	20	10	10.5	4	21	36	75	-	50	30	25	30	701
GN.74533	GN 237.3-A4-160-80-A-GS	160	80	10.3	10	20	10	10.5	4	21	75	75	60	50	30	-	-	915



Hinges and accessories



GN 237.3-L-A4-B

INOX STAINLESS STEEL

Code	Description	l1	l2	d1	d2	d3	d4 +0.5	h1	h2	h3	h4	h5	l3	l4	m1	m2	m3	m4	m5	△
GN.74511	GN 237.3-A4-63-50-B-GS	63	50	6.3	6	9.5	10	12.5	6	6.5	2	13	21	34	-	30	13	15	15	143
GN.74515	GN 237.3-A4-76-50-B-GS	76	50	6.3	6	9.5	10	12.5	6	6.5	2	13	34	34	30	30	13	-	-	169
GN.74523	GN 237.3-A4-90-60-B-GS	90	60	8.3	8	12.5	13	16	8	8.5	3	17	25.5	56	-	36	22.5	18	22.5	320
GN.74527	GN 237.3-A4-120-60-B-GS	120	60	8.3	8	12.5	13	16	8	8.5	3	17	56	56	45	36	22.5	-	-	423
GN.74531	GN 237.3-A4-120-80-B-GS	120	80	10.3	10	14.5	15	20	10	10.5	4	21	36	75	-	50	30	25	30	712
GN.74535	GN 237.3-A4-160-80-B-GS	160	80	10.3	10	14.5	15	20	10	10.5	4	21	75	75	60	50	30	-	-	910